



DATE \_\_\_\_\_

JOB NAME \_\_\_\_\_

TYPE \_\_\_\_\_

Features	Applications
<ul style="list-style-type: none"> <li>• HID alternative or replacement</li> <li>• 100,000 hour life rating</li> <li>• 91.6% Efficacy</li> <li>• 5 year warranty</li> </ul>	<ul style="list-style-type: none"> <li>• High Bay Lighting</li> <li>• Warehouses</li> <li>• Manufacturing Areas</li> <li>• Gymsnasiums</li> </ul>

Series	Size	Lumens	Watts	Mounting	Options
DHBA105	2FT	10,460 (2ft)	105	PS-Pendant Stem	DB-Dimmer
DHBA210	4FT	19,350 (4ft)	210	C- Chain mounted	OS-Occupany Sensor PC-PhotoCell

Ordering Example: DHBA210-4FT-5000K-DB

### Details

**Application Features:** Ideal fixture as an HID alternative. Proprietary LED Board Design provides individual LED monitoring for uniform power and full lifespan. Eight Stips of 48 White LEDs. used for 2ft fixture and sixteen used for 4ft.

**Construction:** Durable 20 ga. cold rolled steel body. Spot welded for rigidity and clean appearance. Knockouts are provided for flexible conduit attachments.

**Finish:** Pre-treated phosphate bonded (rust inhibitor), white powder coated finish.

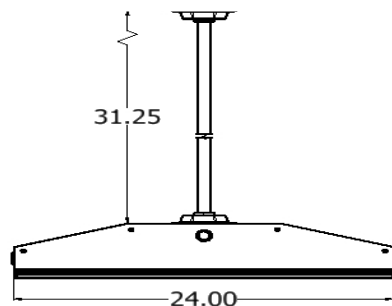
**Approvals:** Approved to ETL and UL standards.

**Optional Adders:** Dimming, occupancy sensor, and photocell available.

**Optics:** Polycarbonate protective LED lens



2FT:



4FT:

