



DATE

JOB NAME

TYPE

Features	Applications
<ul style="list-style-type: none"> • Ribbed, white acrylic diffuser • Uses T8 or T12 lamps 	<ul style="list-style-type: none"> • Stairwells • Corridors • Bathrooms • Utility Rooms

Series	Lamps	Watts	Voltage	Options
FP	2	15W T12 17W T8 20W T12 25W T8 30W T12 32W T8 40W T12	120 277 UNV	EM-EM Pack Lamp DB-Dimming Ballast CEC-Chrome End Caps BAA-Bright Anodized Aluminum finish

Ordering Example: FP-2-17WT8-UNV-EM

Details

Application Features: Specification grade, surface mounted wall luminaire with ribbed acrylic diffuser. For use in indoor applications where a T8 or T12 luminaire with a diffuser for low-glare illumination is required. Available in lengths from 18.5" to 48.5".

Construction: Heavy guage steel housing. Sufficient knock-outs provided for convenience outlet and rocker switch.

Finish: White or Bright Anodized Aluminum finish.

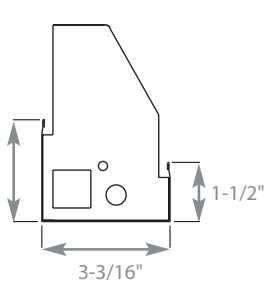
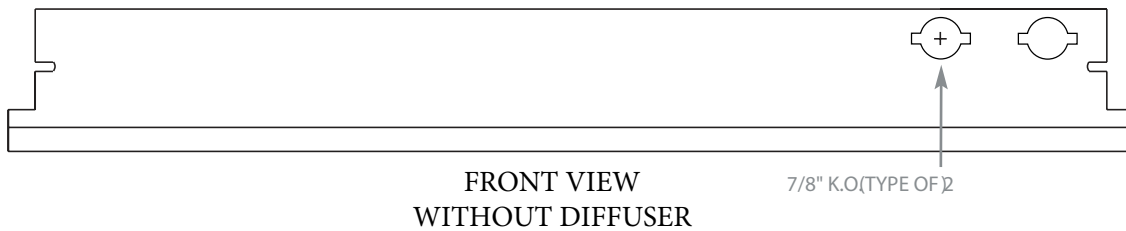
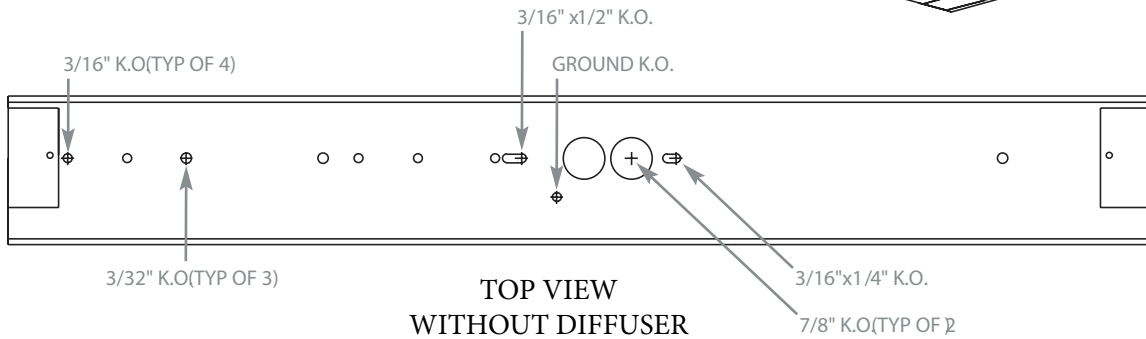
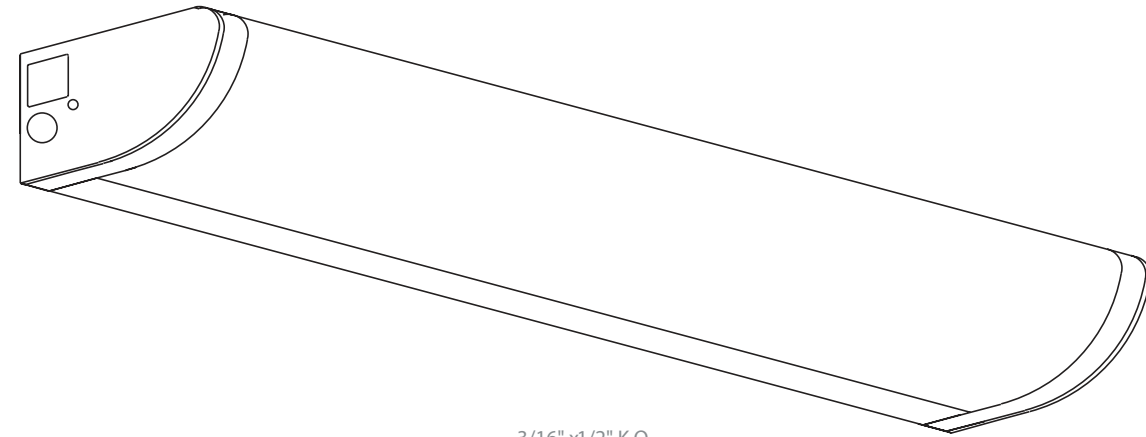
Electrical: Electronci ballasts are class P, thermally protected.

Approvals: Union made, UL listed, and manufactured in the US.

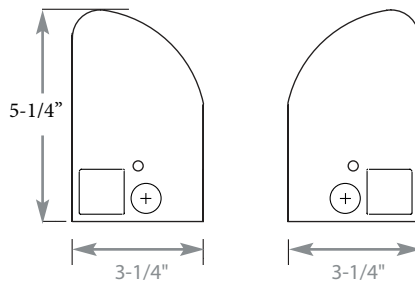
Mounting: Surface mounts over electrical junction box.

Optics: Ribbed white acrylic diffuser.

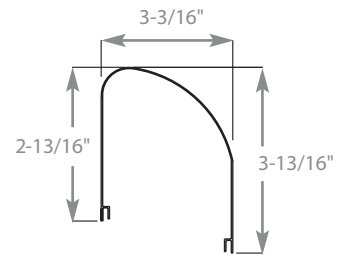
Options: Emergency Battery Backup, Dimmming Ballast, Separate Circuit, Chrome End Caps, Solid End Caps.



END VIEW
WITHOUT PLATE



End Plates
Standard pair has knock-outs on both ends



Diffuser Only