

DATE

JOB NAME

TYPE

Features	Applications
<ul style="list-style-type: none"> • One piece fiberglass housing • Lineal ribbed, impact resistant acrylic diffuser • Continuous poured in place gasket • For vandal resistance 	<ul style="list-style-type: none"> • Industrial Facilities • Commercial Kitchens • Food Processing Facilities • Walkways • Car Washes • Parking Structures

Series	Size	Lamps	Watts	Voltage	Options
DP					
	2FT	1	17WT8	120	EM1—EM Pack 1-Lamp
	4FT	2	14T5	277	EM2—EM Pack 2-Lamp
	8FT	3	24WT5HO	UNV	SC—Separate Circuit
			32WT8	(T12 dedicated	MS—Motion Sensor
			28WT5	volatage only)	PO—Polycarbonate Lens (4' only)
			54T5HO		TP/SSL—Tamper Proof Screws with
			59WT8		Stainless Steel Latches
			86WT5HO		MB—Mounting Bracket
			96WT12		
			96W12HO		

Ordering Example: DP-4'-332T8-UNV-EM

Details

Application Features: Specification grade, surface mounted vapor proof luminaire. For use in exterior applications where T5, T5HO, T8, T8HO, T12, T12HO or LED enclosed and gasketed fixture with lineal ribbed acrylic diffuser is required. Available in 2', 4' and 8' lengths.

Construction: One piece fiberglass housing with lineal ribbed acrylic diffuser, polycarbonate latches and stainless steel hardware. Continuous poured in place gasket seals the enclosure from dust, vapors and moisture. Removeable gear tray provides easy access to wiring compartment and ballast. Knock-outs provided on ends of housing for through wiring.

Finish: White.

Electrical: Electronic ballasts are class P, thermally protected.

Approvals: Union made, UL listed, and manufactured in the US; IP 65, 66 and 67 rated.

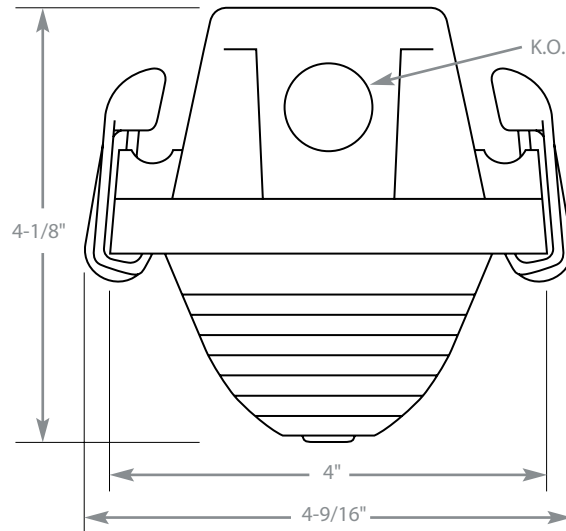
Optics: Specular reflector with 92% reflectivity with lineal ribbed, impact resistant (DR additive) acrylic diffuser.

Options: Emergency Battery Backup, Separate Circuit, Motion Sensor, Polycarbonate Lens, Tamper Proof Screws with Stainless Steel Latches, Mounting Bracket. ***CHAIN HANGERS AVAILABLE***



DISCLAIMER: CORONET INC RESERVES THE RIGHT TO MAKE ANY DESIGN CHANGES FOR CONTINUOUS IMPROVEMENT WHICH WILL NOT AFFECT THE OVERALL APPEARANCE OR PERFORMANCE. ALL CEILINGS ARE TO BE ADEQUATELY REINFORCED BY OTHERS BEFORE INSTALLATION. ALL FIXTURES ARE TO BE WIRED BY A CERTIFIED ELECTRICIAN ONLY. THIS INFORMATION IS PROPERTY OF CORONET INC., AND THE INFORMATION IT CONTAINS MAY NOT BE USED WITHOUT ANY WRITTEN CONSENT OF CORONET INC.

SIDEVIEW
1-LAMP



SIDEVIEW
2 AND 3-LAMP

