



DATE

JOB NAME

TYPE

Features	Applications
<ul style="list-style-type: none"> • Shallow design • Clear prismatic acrylic wraparound lens • Continuous row mounting capability • Easy re-lamping and re-ballasting • Uses T8, T5, T5HO or T12 lamps 	<ul style="list-style-type: none"> • Schools • Retail Stores • Office Areas • Corridors

Series	Lamps	Watts	Voltage	Options
A	2 3 4	17WT8 14WT5 24WT5HO 40WT12 32WT8 32WT8-8' (Tandem) 28WT5 28WT5-8' (Tandem) 54WT5HO 54WT5HO-8' (Tandem)	120 277 UNV (T12 DEDICATED VOLTAGE ONLY)	EM1-Emergency Pack EM2-2 Light Emergency Pack DB-Dimming Ballast SC-Separate Circuit MS-Motion Sensor PS-Pendant Stems (6", 12", 24", 36", 48") WH-6' Whips
Ordering Example: A-2-32WT8-8'-120V-EM				

Details

Application Features: Specification grade, surface mounted, standard wraparound luminaire with clear prismatic wraparound lens. For use in indoor applications where a T8, T5, T5HO or T12 luminaire with shallow profile and low cost is required. Available in 2', 4' and 8' lengths. Fixtures can be butt mounted for mounting in continuous rows.

Construction: Die formed 20 ga. pre-painted, high reflectance white steel housing and end caps. Offset mounting pads keep luminaire level and slightly off mounting surface. Ballast accessed through tool-less ballast cover. Sufficient knock-outs provided for through wiring and optional pendant stems. Finish: Pre-painted high reflectance white.

Electrical: Electronic ballasts are class P, thermally protected.

Approvals: UL Listed for damp location.

Mounting: Surface mounts over electrical junction box or with optional pendant stems.

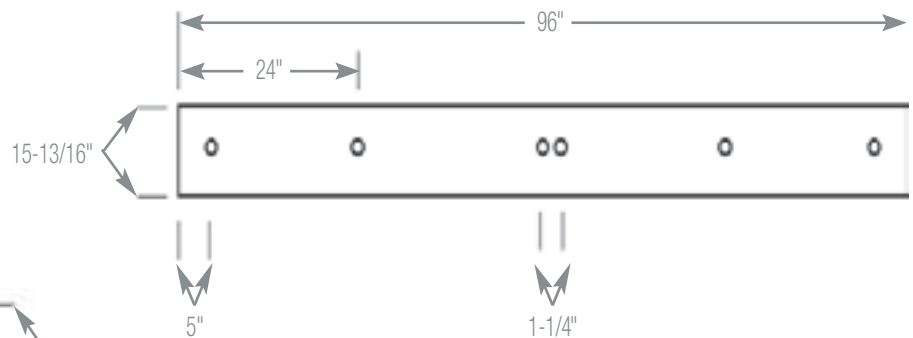
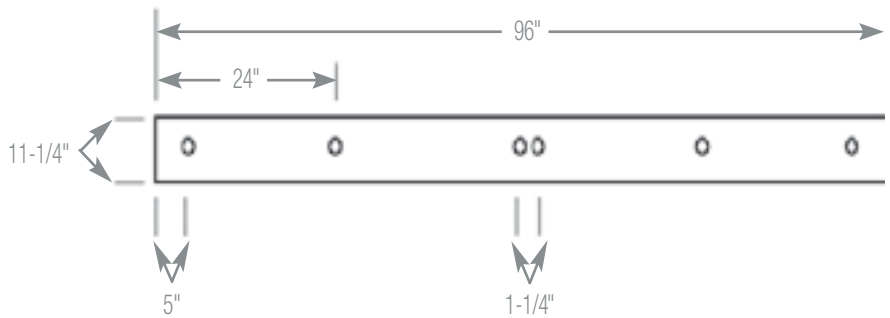
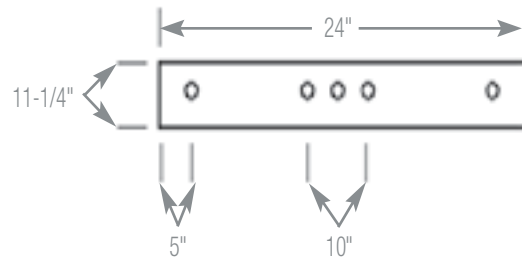
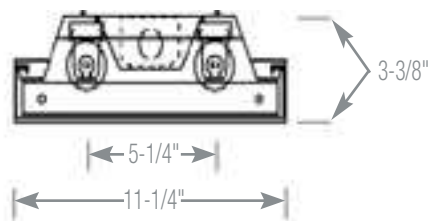
Optics: Clear prismatic extruded acrylic wraparound lens with evenly spaced pattern of conical prisms on the bottom and ribbed linear prisms on the sides.

Options: Emergency Battery Backup, Dimming Ballast, Separate Circuit, Motion Sensor, Pendant Stems.

TOP VIEWS

7/8" knock-out locations

CROSS SECTION—2-LAMP



CROSS SECTION—4-LAMP

